

Monolithic crystal filter

MQF13.0-2500/01



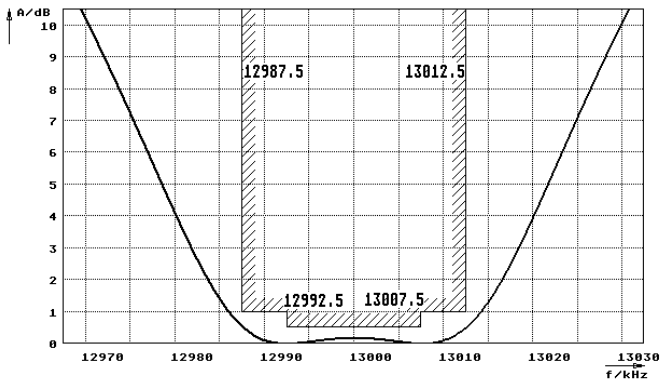
Application

- 2 pol filter
- i.f.- filter
- use in mobile and stationary transceivers

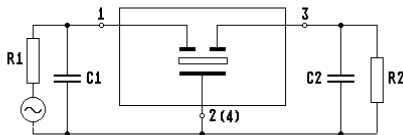
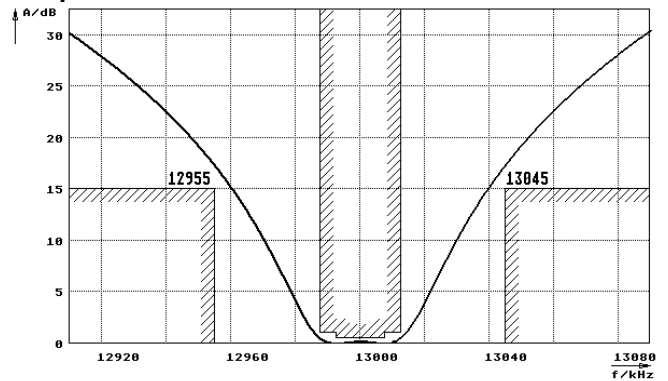
Limiting values		Unit	Value
Nominal frequency	f_0	MHz	13.0
Insertion loss		dB	< 2.0
Pass band at 1.0dB		kHz	$\pm > 12.5$
Ripple in pass band	$f_0 \pm 7.5$ kHz	dB	< 0.5
Stop band attenuation	$f_0 \pm 45$ kHz	dB	> 15
Alternate attenuation	$f_0 \pm 250$ kHz	dB	> 40
Spurious responses		dB	> 10
Terminating impedance Z			
R1 C1		Ohm/pF	4000 -0.20
R2 C2		Ohm/pF	4000 -0.20
Operating temp. range		°C	-10... +55
Storage temp. range		°C	-45... +85
Environment conditions			according to CF001

Characteristics MQF13.0-2500/01

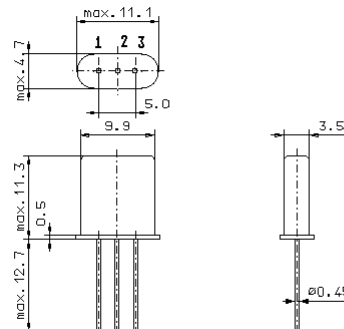
Pass band



Stop band



- Pin connections:
- 1 Input
 - 2 Ground
 - 3 Output
 - 4 Ground



GH3

RoHS compliant